

1a) SINGLE HOUSE WITH 1 MONITOR



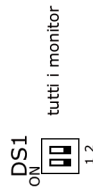
1b) SINGLE HOUSE WITH 2 OR MORE MONITORS and distributor 10171C (2 monitors) or 10171J (3 or more monitors):



1c) SINGLE HOUSE WITH 2 OR MORE MONITORS and distributor 10169C, 10170C 10169J, 10170J:



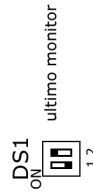
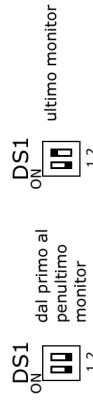
1d) MULTI-STORE SYSTEM with distributor 10171, 10171C e 10171J:



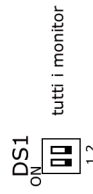
1e) MULTI-STORE SYSTEM with distributor 10170, 10170C e 10170J (and for old system with distributor 1016X):



1f) MULTI-STORE SYSTEM, 1 OR 2 MONITORS FOR APARTMENT, without external distributor:



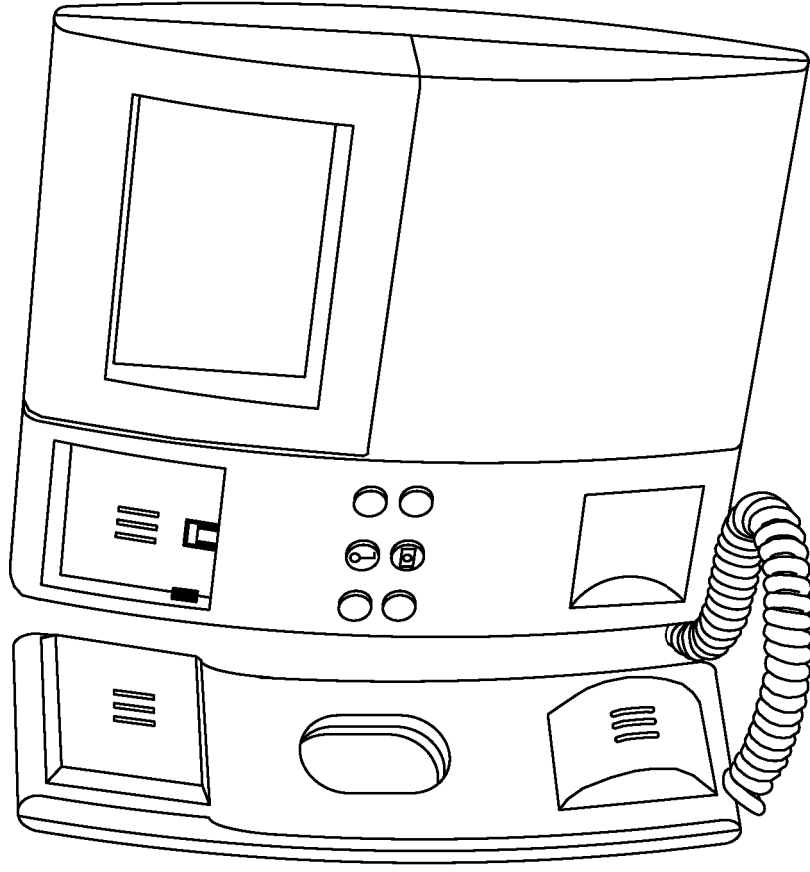
1g) MULTI-STORE SYSTEM with 3 monitor in parallel and 1017J in last monitor:



2a) SECURITY OF CONVERSATION SETTING:

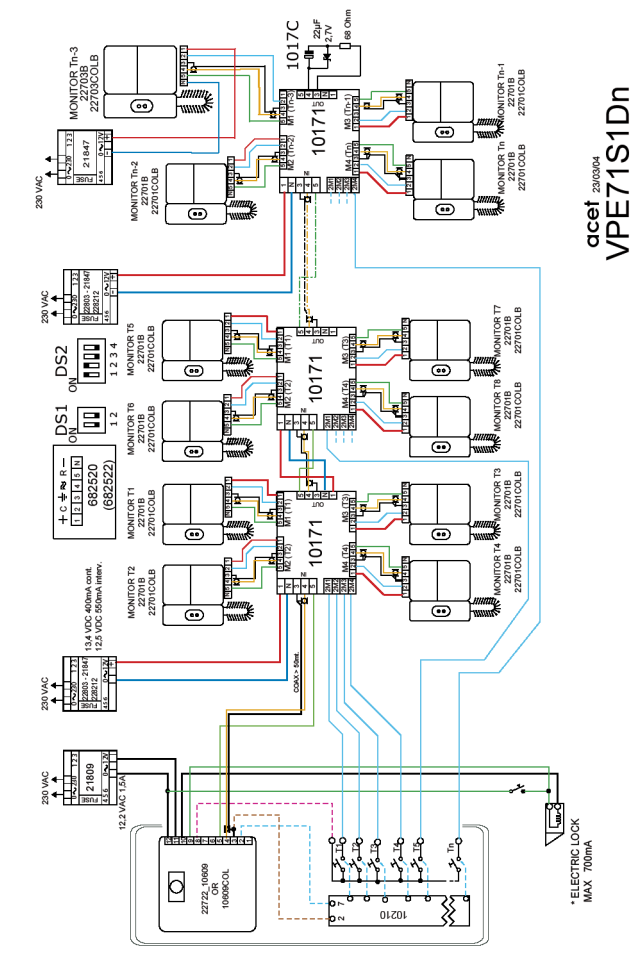


2a) DIODE SETTING:

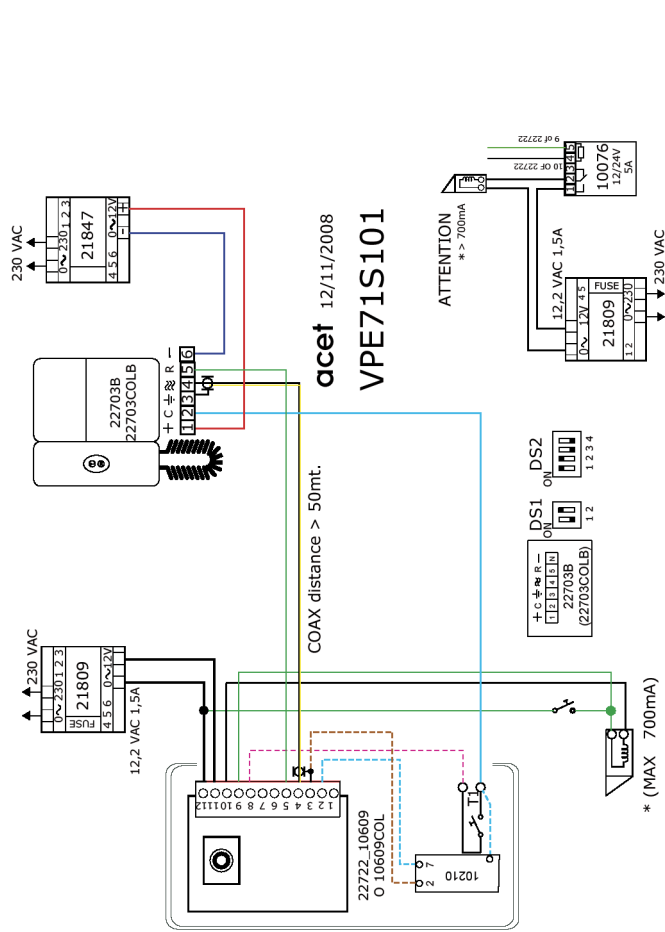
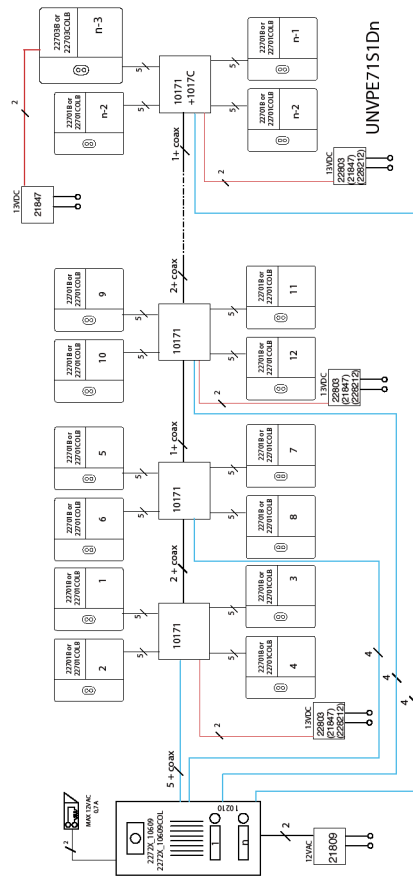


MONITOR 22703B AND 22703COLB





VERY IMPORTANT:
PLEASE CHECK TENSION WHILE MONITOR IS LIGHTED:
-VIDEO SPEAKER AMPLIFIER BETWEEN 1 AND 3 = 12,5/15 VAC
-MONITOR 682520. ENTRE 1(+) ET 3(-) = 11/15 VDC
-IS SUGGESTED TO USE 1 POWER SUPPLY EACH 8 MONITORS.
-WITH TENSION BETWEEN 1 AND 3 OF THE MONITOR LOWER THAN 10,5 VDC, THE MONITOR WILL NOT LIGHT UP AS A CIRCUIT OF PROTECTION OF THE CRT WILL PROTECT THE SYSTEM. MAYBE ANYWAY THAT THE AUDIO LINE IS INSERTED PROPERLY. WITH TENSION BETWEEN 9,5 AND 10,5VDC THE LED ON THE CIRCUIT BOARD OF THE MONITOR WILL BE LIGHTED TO SHOWS PROBLEMS DUE TO LOW TENSION



ATTENTION: for the loop use the cable with section max 0,22mmq. The sound will be audible with the auditive apparatus in the area created from the cable

